

ABOVE GROUND RECTANGULAR QUICK SET® SWIMMING POOL OWNER'S MANUAL

To order parts, accessories, or answers to frequently asked questions about your product please visit
WWW.POLYGROUP.COM Customer Service: (888) 919-0070

DISTRIBUTED BY: POLYGROUP LIMITED (MCO)
Avenida Xian Xing Hai, Centro Golden Dragon, 11 Andar M, Macau



System Info Label



WARNING: DO NOT overfill the pool and / or allow people to lay over or sit on pool wall- DOING SO CAN CAUSE PERMANENT INJURY!
DRAIN pool to the proper level after a heavy rain.
NOTE: DO NOT attempt to assemble this pool in adverse weather conditions, windy conditions or when the temperature is below 60°F.
NOTE: This is a storable pool, which should be disassembled and stored when temperatures are expected to fall below 32°F.

SAFETY INFORMATION	2
CONSUMER AWARENESS BOOKLETS	3
SITE PREPARATION	4
POOL INSTALLATION	4
DISASSEMBLY AND STORAGE	7
POOL COVER SAFETY	8

LIMITED WARRANTY

Polygroup Limited (Macau Commercial Offshore), (hereinafter "Polygroup") warrants to the original purchaser only, the Metal Frame Pool (frame and liner) against defects in material and workmanship for 90 days from the date of purchase. Original Purchaser must retain proof of such purchase in the form of an original store sales receipt and must produce such upon request by Polygroup or its designated agents. Warranty claims cannot be processed without a valid proof of purchase.

This Limited Warranty applies only to the original purchaser of the product and is limited solely to the repair or replacement of the product, to be decided in Polygroup's sole discretion. Consequential damages, including claims for loss of water, pool chemicals, damage, or labor are not covered under this Limited Warranty.

This Warranty will be declared invalid should the Purchaser modify or repair the product themselves or by unauthorized persons; use non-Polygroup parts or accessories with the product; use the product in contravention of the Manufacturers Instructions; use improper voltage; abuse the product in any way; or through accident or negligence. Normal wear-and-tear is not covered under this Warranty, nor are acts of God outside the control of Polygroup.

IN NO EVENT SHALL POLYGROUP, THEIR AUTHORIZED AGENTS, RELATED ENTITIES, OR EMPLOYEES BE LIABLE TO THE BUYER OR ANY OTHER PARTY FOR DIRECT OR CONSEQUENTIAL DAMAGES. Some states or countries, or others jurisdictions do not allow the exclusion or limitation of incidental or consequential damages, so the above limitation or exclusion may not apply to you.

Should you encounter a problem with your Polygroup Product, please do not return the product to the place of purchase. All Warranty claims must be made directly to Polygroup. Prior to contacting Customer

Service, please first review the Troubleshooting Guide in the Installation Manual, or review the FAQ at www.polygroup.com. If you are still unable to correct the problem, please contact Polygroup customer service at (888) 919-0070. Have the product type and your purchase receipt ready. Our Customer Service Representative will assist you in resolving the problem. You may be asked to return all or part of the product for inspection and/or repair. Do not return any product to Polygroup without a Return Authorization number.

Read and Follow All Safety Information and Instructions. Keep for Future Reference.

Failure to follow these warnings and instructions can result in serious injury or death to user, especially children.



! DANGER	
PREVENT DROWNING Watch children at all times. Observe all Safety Rules.	NO DIVING! NO JUMPING! Shallow Water - You can be permanently injured.

! WARNING	
DO NOT SIT ON OR LAY OVER POOL WALL You can be permanently injured	AVOID ENTRAPMENT Stay away from suction fittings You may drown

- Children, especially children younger than five years, are at high risk of drowning. Drowning occurs silently and quickly and can occur in as little as 2 in. (5 cm) of water.
- Keep children in your direct sight, stay close, and actively supervise them when they are in or near this pool and when you are filling and emptying this pool.
- When searching for a missing child, check the pool first, even if the child is thought to be in the house.
- Very Important: Swimming pool barriers, which restrict access to the pool by small children, may be required by law. A barrier is necessary to provide protection against potential drowning and near drowning. Barriers are not a substitute for constant supervision of children. Check state or local laws and codes before setting up pool.
- The use of artificial pool lighting is at the discretion of the pool owner. Lighting, when installed, should be in accordance with Article 680 of the National Electrical Code (NEC) or its latest approved edition and in consultation with a licensed electrical professional.
- During nighttime pool use, artificial lighting shall be used to illuminate all safety signs, ladders, steps, deck surfaces and walks.
- The floor of the pool shall be visible at all times from the outside perimeter of the pool.
- Local building codes may require obtaining a building or electrical permit. Installer shall follow regulations on setback, barriers, devices and other conditions.
- Post a list of emergency telephone numbers such as the nearest available police, fire, ambulance and/or rescue unit. These numbers are to be kept near the telephone, which is closest to the pool.
- Toys, chairs, tables or similar objects that a young child could climb shall be at least four feet (4') [121.92 cm] from the pool. The pump filter system shall be positioned so as to prevent it being used as a means of access to the pool by young children. Do not leave toys inside pool when finished using, since toys and similar items might attract a child to the pool.
- Basic lifesaving equipment, including one of the following should be on hand at all times:
 - * A light, strong, rigid pole (shepherds crook) not less than twelve feet (12') [365.76 cm] long.
 - * A minimum one-fourth inch (1/4") [6.35 mm] diameter rope as long as one and one half (1-1/2) times the maximum width of the pool or fifty feet (50') [15.24 meters], whichever is less, which has been firmly attached to a Coast Guard-approved ring buoy having an outside diameter of approximately fifteen inches (15") [38.1 cm], or similarly approved flotation device.

12. **Entrapment Avoidance:** There shall be no protrusions or other obstruction in the swimming area, which may cause entrapment or entanglement of the user. If a suction outlet cover is missing or broken, do not use the pool. Suction can cause body part entrapment, hair and jewelry entanglement, evisceration, or drowning. Repair or replace the suction outlet cover before allowing the pool to be used.
13. The pool is subject to wear and deterioration. If not maintained properly, certain types of excessive or accelerated deterioration can lead to failure of the pool structure that might release large quantities of water that could cause bodily harm and property damage.
14. Above ground / onground residential swimming pools are for swimming and wading only. No diving boards, slides or other equipment are to be added to an above ground / onground pool that in any way indicates that an above ground / onground pool may be used or intended for diving or sliding purposes.
15. Never allow horseplay, diving or jumping into or around the pool. Serious injury, paralysis or death, could result when this rule is disregarded. DO NOT ALLOW anyone to swim alone without supervision.
16. Safety signs shall comply with requirements of ANSI-Z535 and to use signal wording.
17. The pool is to be assembled by an adult; care should be taken in the unpacking and assembly of the pool, this pool may contain accessible potentially hazardous sharp edges or sharp points that are a necessary part of the function of the pool.
18. Become certified in cardiopulmonary resuscitation (CPR). In the event of an emergency, immediate use of CPR can make a lifesaving difference.
19. Keep all electrical lines, radios, speakers and other electrical appliances away from the pool.
20. Do not place pool near or under overhead electrical lines.
21. Remove pool ladders before leaving the pool. Children as young as 2 years have climbed up ladders and into pools and drowned.

NOTICE: CUSTOMERS THAT PURCHASE POOLS MAY BE REQUIRED BY LOCAL OR STATE LAW TO INCUR ADDITIONAL EXPENSES WHEN INSTALLING A POOL, IN ORDER TO COMPLY WITH STATE OR LOCAL LAWS REGARDING FENCING AND OTHER SAFETY REQUIREMENTS. CUSTOMERS SHOULD CONTACT THEIR LOCAL BUILDING CODE ENFORCEMENT OFFICE FOR FURTHER DETAILS.

CONSUMER AWARENESS BOOKLETS

Contact: U.S. Consumer Product Safety Commission at www.CPSC.gov/cpsc/pub/pubs/pool/pdf, Pub. #362 "Safety Barrier Guidelines for Home Pools"

Contact: ASSOCIATION OF POOL & SPA PROFESSIONALS (formerly NSPI) at www.apsp.org/164/index.aspx

These titles are now available: "The Sensible Way To Enjoy Your Aboveground / Inground Swimming Pool", "Children Aren't Waterproof", "Pool and Spa Emergency Procedures For Infants", "Layers of Protection", and the "ANSI / NSPI-8 Model Barrier Code for Residential Swimming Pools, Spas, and Hot Tubs".

DANGER:

Competent supervision and knowledge of the safety requirements is the only way to prevent drowning or permanent injury in the use of this product!
Never leave young children unattended.

DANGER: POOL SET-UP

Do not attempt to assemble this pool in adverse weather conditions, such as in high winds, strong gusts or when the temperature is below 60°F.

Should you encounter any problems, contact the Customer Service at (888) 919-0070.
Extended operating days and hours during peak season requirements.

RECTANGULAR FRAME POOL SETUP INSTRUCTION SHEET

1 SITE PREPARATION

WARNING - VERY IMPORTANT! SITE MUST BE LEVEL, STABLE, COMPACTED SOIL.

- The pool must be assembled on a smooth and level site of firm soil that is free of stones, gravel, sticks, blacktop or other oil base compounds. Do not install pool on a wooden deck or any type of wooden surface. You can not use sand and/or uncompacted soil to provide a level surface for this pool; it will only wash out.
- **FAILURE TO FOLLOW THE INSTRUCTIONS BELOW WILL CAUSE POOL TO COLLAPSE AND WILL VOID THE WARRANTY!**

- A. Select a level area, and completely remove all debris, twigs, stones, etc. DO NOT select an area under overhead electrical lines, trees or within 15 feet of a house, building, etc. The area should also be at least 10 feet away, and no more than 21 feet away, from a 110 volt AC outlet, protected by a Ground Fault Circuit Interrupter.
- B. Contact your local utilities, checking that no underground cables, telephone lines, gas lines, etc. run beneath the area you have selected.

2 POOL INSTALLATION

WARNING: DO NOT overfill the pool and / or allow people to lay over or sit on pool wall doing so can cause permanent injury. **DRAIN** the pool to the proper level after a heavy rain.

TIP: It will be much easier to install your pool if you unfold it and let it lay in direct sunlight for about 2 hours prior to installation. This will help to insure a wrinkle-free fit because the pool material will be more pliable allowing it to form into shape during installation.

- A. Carefully unfold the Frame Pool and inspect seams for manufacturing defects. With the sleeve rim on the top side, lay out the pool in the area selected, making sure the pool bottom is both flat and rectangular-shaped. Position the power filter mounting area of the pool wall so that it is 10 to 21 feet from the electrical outlet you

plan to use for the pool pump. You should have at least three people to assist with the assembly of this pool. Pull out the rectangular flaps of wall material from the base of the pool, (along each end and on each side).

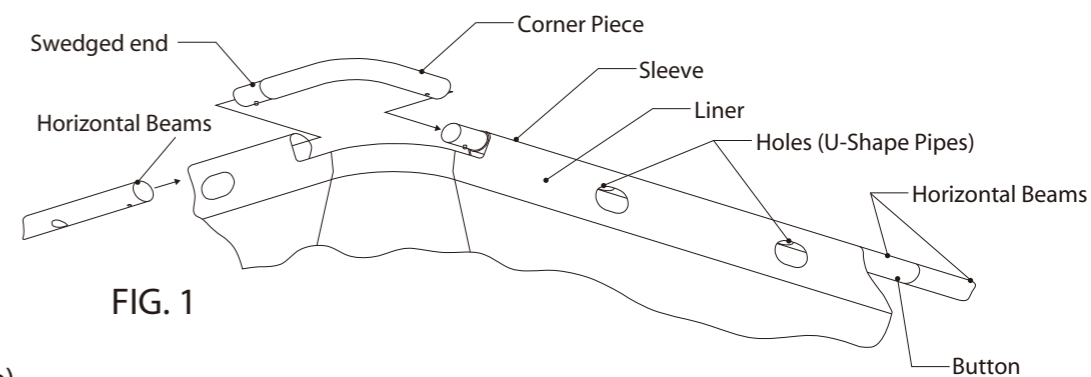


FIG. 1

- B. Locate the four metal (Corner Pieces) of pipe Fig. 1, then place one at every corner of the pool. Now locate the (Horizontal Beams), insert each smaller swedged end of these only to join the beams together in

length, **Note:** No Spring Pins are used in the Horizontal Beam end attaching to the corner pieces or in the corner pieces themselves, please see the assembly drawing page 5 for proper Spring Pins locations.

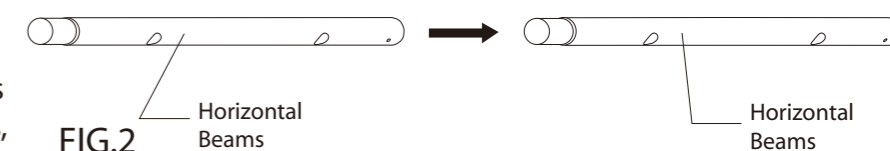


FIG.2

The (Horizontal Beams) for the pools ends are (the shorter ones) and (the longer ones) for the long sides. Place half of the short ones on either (short end of the pool) and half of the long ones along each (long side of the pool), these along with the (Corner Pieces) make up the support frame of the pool.

- 4 Begin by sliding the (Horizontal Beams) into the sleeve (**making certain you work in a clockwise**

direction around the pool with all swedged parts pointing clockwise) see Fig. 1 and refer to the "View of All Frame Assembly Parts" shown on page 5.

Connect the (Horizontal Beams) together pushing the button in as you insert one beam into the other beams end. Look through the locking hole in the beam as you join them, slightly rotate the beams until the button aligns with the hole and pops up, locking that beams end into the other beams end. Repeat this procedure for the remaining (Horizontal Beams) making certain the holes in the beams align with the openings in the pool sleeve Fig. 1 these holes are used for the U-Shape Pipe (end) and (side) supports. Next install the corner pieces (**again working in a clockwise direction with swedged ends pointing clockwise**), slide them together and repeat this procedure for all corners, on the last corner it might be necessary to lift the final joining connection at an angle to allow the pipes to fit into each other slowly lowering the ends flat again then sliding them together until it fits in completely, this step may require two people. Now double check all (Horizontal Beam) and (Corner Piece) connections at this time.

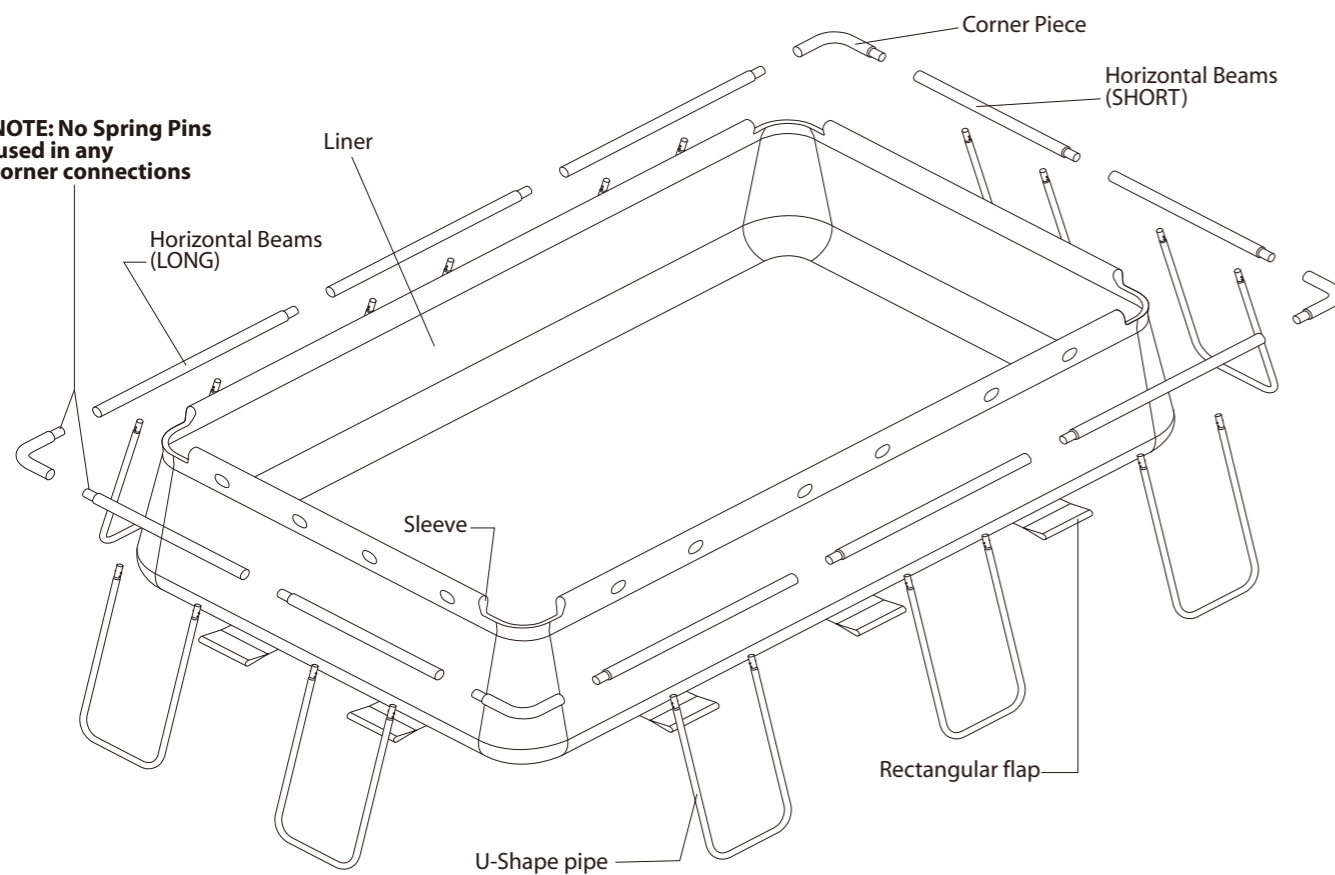
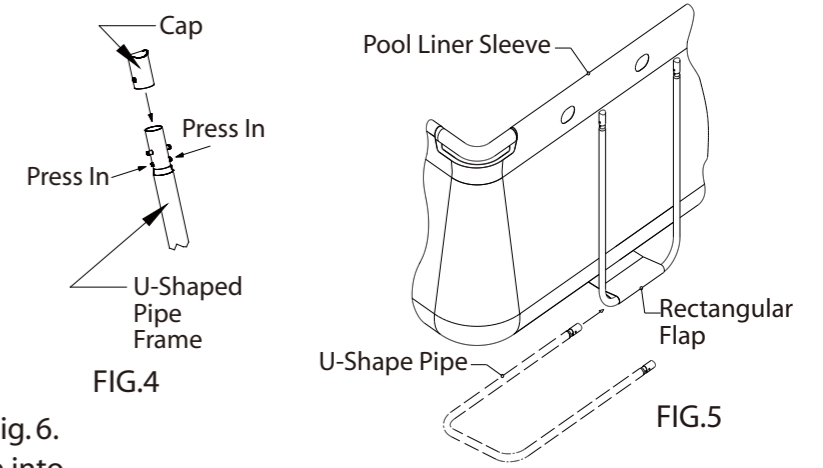


FIG.3

VIEW OF ALL FRAME ASSEMBLY PARTS SHOWN OUTSIDE OF SLEEVE

C. Now locate the U-Shape pipe frames. Each end of the U-Shape pipe will have a cap to be installed on it. Locate the pipe caps and install those, push the buttons in as you insert the cap onto the pipes end Fig. 4. Look through the holes in the cap as you install it and slightly rotate the cap until the buttons align with the holes and pop up, locking the cap onto the pipes end. Now place a U-Shape pipe at each of the rectangular flaps along the base of the pool.

D. Now insert the U-Shape pipe sections through the end of each rectangular flap at the bottom of the pool Fig. 5. **Note: The ladder should be assembled prior to raising the wall to allow helpers easy access in and out, ladder assembly instructions are with the ladder.** Next, one or two other persons will have to support the horizontal beam raising the pool wall from inside the pool as another person inserts the U-Shape pipe supports Fig. 6. Insert the capped ends of the U-Shape pipe into the holes in the horizontal beam assembly by depressing the lower set of buttons Fig. 6 pushing the cap end entirely into the horizontal beam until it stops. Make sure all the U-Shape pipes are inserted fully and check that all connected sections are still securely fastened. Repeat this step for the **OPPOSITE SIDE**, then install the U-Shape frame supports at both **ENDS** of the pool.



E. Make sure the drain fitting is plugged securely and the cap is in place. Start filling the pool with water. After about 1-inch of water is on the bottom, stop filling and smooth wrinkles out of the bottom of the pool. Pull the wall outward at the base all around the bottom of the pool from the outside or push outward from inside the pool removing all wrinkles so that it fills evenly and flat.

F. **NOTE: IF MORE THAN 1-2 INCHES OF WATER COLLECTS ON ANY ONE SIDE BEFORE THE POOL STARTS FILLING IN THE CENTER, THE POOL IS NOT LEVEL ENOUGH, AND MUST BE CORRECTED, SEE "SITE PREPARATION", PAGE 4. NOTE: THE WEIGHT OF THE WATER WILL PREVENT ANY ADJUSTMENT AFTER THIS POINT.**

G. Following the instructions under "Power Filter Installation" in the "Swimming Pool Filter System" owner's manual, begin installing your power filter unit according to its manual.

H. Now, once this is done, continue filling the pool.

I. When the water half filled, the top frame will tend to bend down at the middle (See FIG.7). It is absolutely normal. Continue to fill water to the optimal level, the frame will restore to its normal shape.

J. When filling is complete refer back to the "Swimming Pool Filter System" owner's manual, and continue through the rest of the installation.

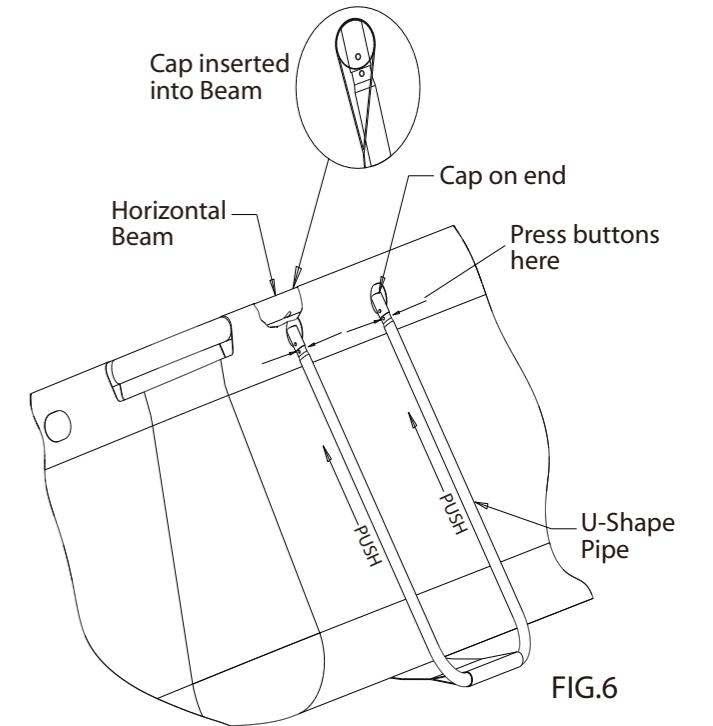


FIG.6

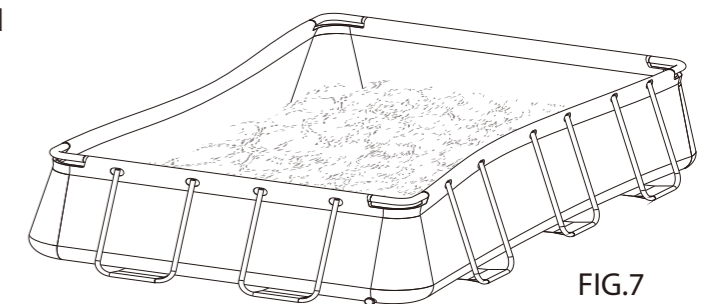


FIG.7

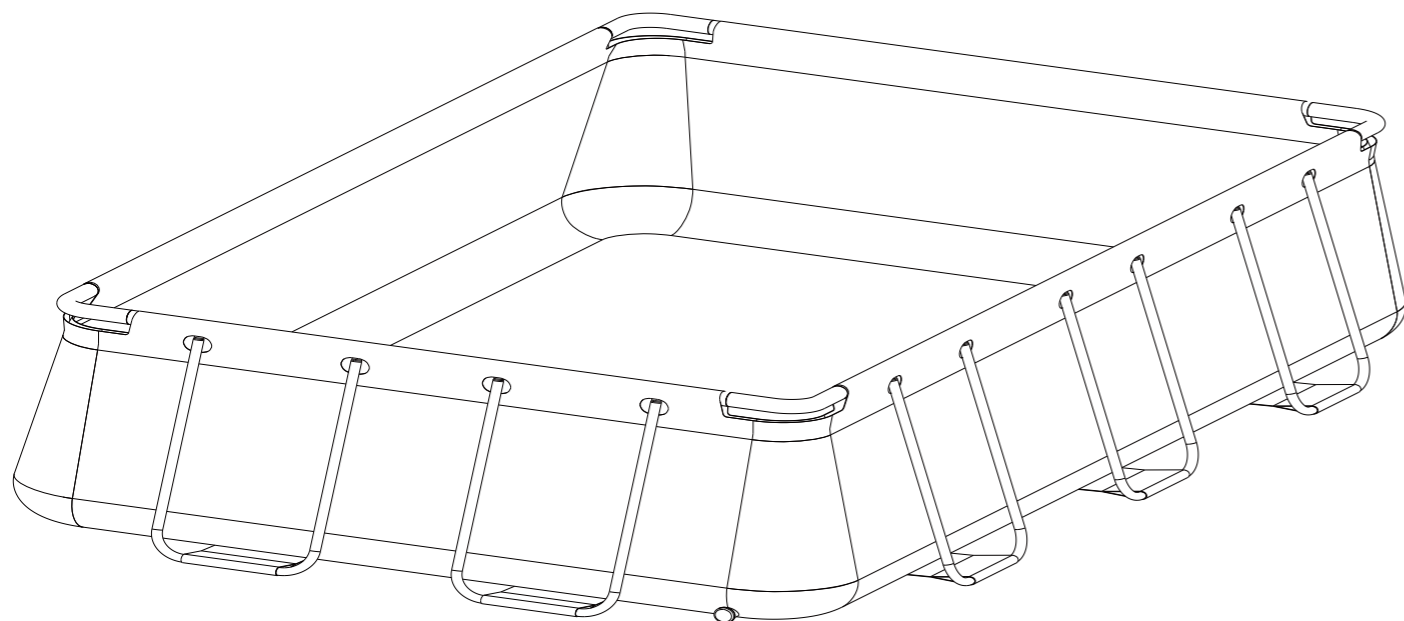
3 DISASSEMBLY AND STORAGE

GENERAL INFORMATION: Pool must be stored if temperatures are expected to fall below 32°F.

- A. All parts should be cleaned with a mild soap and lukewarm water only - DO NOT use detergent or hot water.
- B. Make sure all parts are dry before storing to help prevent mildew from forming.
- C. Store all parts in a dry heated area where temperatures do not go below 32° F or above 125° F.
- D. Failure to follow the proper storage instructions could cause damage to pool parts and void warranty.
- E. YOU MUST FOLLOW THE ASSEMBLY INSTRUCTIONS TO REASSEMBLE YOUR POOL NEXT SEASON. Pool site must be cleared and leveled again before setting up your pool.

DRAINING THE POOL:

- A. To drain the pool, locate the drain plug on the outside of the pool wall and remove the drain cap. A standard garden hose will thread onto the drain fitting. Extend the hose to the area where the water is to be drained. When you have placed the garden hose where desired, the drain plug on the inside of the pool can be opened.
- B. Once you have drained as much water as possible out of the pool, using the hose connected to the drain fitting, open the air valve and deflate the top ring. Then, carefully push the sides of the pool wall down to allow remaining water to run out.
- C. Remove any remaining water as you wash and completely dry pool using a soft cotton cloth. Push the drain plug into the fitting and replace the cap.
- D. Frame Pools: If your pool has metal frame work, disassemble those pieces by depressing the plastic buttons sliding those pieces apart or by removing the plastic pins holding them together again sliding those pieces apart, clean them and wipe them dry. If in doubt of proper disassembly refer to the pools set-up sheet and reverse those steps. Place them all together in a safe storage place for reassembly next season. Order replacement parts for any damaged, broken, or worn parts.
- E. Solar blankets, leaf covers, ladders, etc., should be cleaned and dried before storing.



POOL COVER SAFETY

IF YOU ARE GOING TO USE A POOL COVER, SOLAR COVER OR SOLAR BLANKET, PLEASE READ THIS INFORMATION.

POOL COVER WARNING SOLAR COVER WARNING

⚠ WARNING

AVOID DROWNING RISK

STAY OFF COVER - WILL NOT SUPPORT WEIGHT.
KEEP CHILDREN AWAY. CHILDREN OR OBJECTS CAN NOT BE SEEN UNDER COVER.
REMOVE STANDING WATER - CHILD CAN DROWN ON TOP OF COVER.
REMOVE COVER COMPLETELY BEFORE ENTRY OF BATHERS - ENTRAPMENT POSSIBLE.
NON-SECURED OR IMPROPERLY SECURED COVERS ARE A HAZARD.
FAILURE TO FOLLOW ALL INSTRUCTIONS MAY RESULT IN INJURY OR DROWNING.
THIS IS NOT A SAFETY COVER.
TYPE OC COVER CLASSIFICATION.
INSTALL COVER WITH LABELS FACING UP.
USE DRAWSTRING TO SECURE COVER TO POOL.
THIS COVER MEETS REQUIREMENTS DESCRIBED IN SPECIFICATION F-1346 (ASTM).

SOLAR BLANKET WARNING

⚠ WARNING

AVOID DROWNING RISK

STAY OFF COVER - WILL NOT SUPPORT WEIGHT.
KEEP CHILDREN AWAY. CHILDREN OR OBJECTS CAN NOT BE SEEN UNDER COVER.
REMOVE STANDING WATER - CHILD CAN DROWN ON TOP OF COVER.
REMOVE COVER COMPLETELY BEFORE ENTRY OF BATHERS - ENTRAPMENT POSSIBLE.
NON-SECURED OR IMPROPERLY SECURED COVERS ARE A HAZARD.
FAILURE TO FOLLOW ALL INSTRUCTIONS MAY RESULT IN INJURY OR DROWNING.
THIS IS NOT A SAFETY COVER.
TYPE OC COVER CLASSIFICATION.
INSTALL COVER WITH LABELS FACING UP.
LAY COVER ON TOP SURFACE OF WATER.
THIS COVER MEETS REQUIREMENTS DESCRIBED IN SPECIFICATION F-1346 (ASTM).

VERY IMPORTANT

DO NOT USE A POOL COVER, SOLAR COVER OR SOLAR BLANKET ON THIS POOL IF IT DOES NOT HAVE THIS TYPE OF WARNING LABEL ON THE COVER.

DANGER:

Competent supervision and knowledge of the safety requirements is the only way to prevent drowning or permanent injury in the use of this product!
Never leave young children unattended.